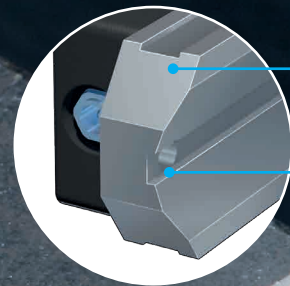




**Built-in display:**  
Angle (mm/m, degree)

Direction of angle



**Base:**  
Precision grinded  
prismatic base.

Two holes for per-  
sonal adaptations  
and brackets.



**Functions:**  
Zeroing and halving  
of value.



**Use your iPhone, iPod  
or iPad as display!**

With our free app  
Precision Level you can  
follow the alignment  
from the place where  
you adjust the machine,  
and document your  
measurement.

## Digital precision level

Measure straightness, flatness, level and parallelism.

# E290

**THE PERFECT ADDITION TO LASER ALIGNMENT**

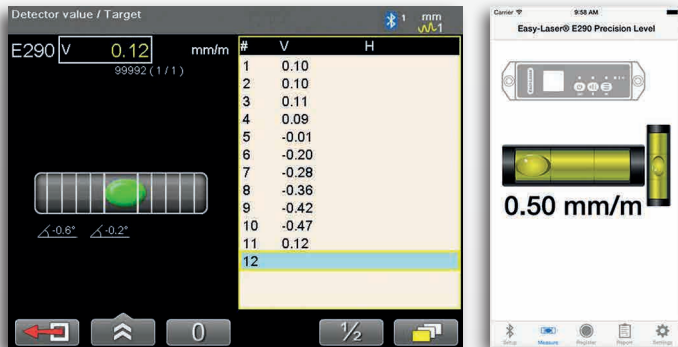
Digital levels are extremely useful tools for setting-up and aligning most types of machine, for example, levelling machine tables, rolls, bases, etc. Other areas of use include checking straightness, flatness and parallelism. Easy-Laser® E290 now also offers the possibility of documenting the work, by wirelessly connecting to your Easy-Laser® alignment system. Today, documentation is a common client requirement.

E290 is the perfect addition to laser based alignment systems and is an investment that can be recouped quickly thanks to the broad areas of use.

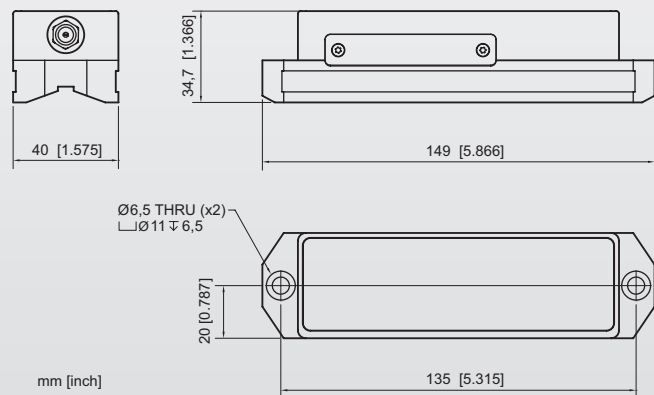
Accuracy is guaranteed by the precision-ground, hardened steel base. Easy-to-read OLED display and a rechargeable battery make it easy to use. Two mounting holes allow for your own adaptations and fixtures.

**CONNECT TO A SEPARATE DISPLAY UNIT**

Using a separate display unit (accessory) makes it all even easier, as you can read off and follow the adjustment at the precise point on the machine where the adjustment is made. The measurement values can be documented and transferred to PC, for further completion of a measurement report. For iPhone/iPad/iPod touch a free app is available, displaying live values and with documentation possibilities.



Digital and graphical view on the Easy-Laser® display unit and on iPhone.



Easy-Laser® E290 Digital Precision Level (Complete kit), Part No. 12-0857	
1	Digital Precision Level
1	Manual on USB stick
1	Charger (100–240 V AC) with cable
1	Carrying case, WxHxD: 270x225x80 mm [10.6"x8.8"x3.1"]

Digital Precision Level	
Displayed resolution	OLED: 0.01 mm/m (0.001°) App: 0.001 mm/m (0.001°)
Range	±2 mm/m
Measurement accuracy	Range ±1 mm/m: accuracy within ±0.02 mm/m of displayed value. Range ±2 mm/m: accuracy within ±0.04 mm/m of displayed value.
Displayed units	mm/m, degrees, mils/thou, arcsec
Type of display	OLED
Communication	BT wireless technology
Environmental protection	IP Class 67
Operating temperature	-10–50 °C
Internal battery	Li-Ion
Material	Hardened steel, ABS plastics
Dimensions	WxHxD: 149x40x35 mm [5.9"x1.6"x1.4"]
Weight	530 g [18.7oz]

\*The E290 can be used as a separate tool, but will also work connected wireless with the Values program in the display unit of the Easy-Laser® systems, and with compatible mobile units from other manufacturers.



Precision prismatic base of hardened steel.



Legs for measurement on cylindrical surfaces with diameters larger than 55 mm. Accessory, Part No. 12-0901.